



www.dhurthi.com



dhurthi™

PRODUCT CATALOG



Made in India



Handcrafted



Upcycled



- Customization available across our product range, including logo branding.
- Choose from existing designs or collaborate with our team to co-design bespoke pieces for bulk orders.
- International shipping available.

For B2B queries contact:

Appaiah PS

Email: appaiah@dhurthi.com

Phone: +91 97382 60634

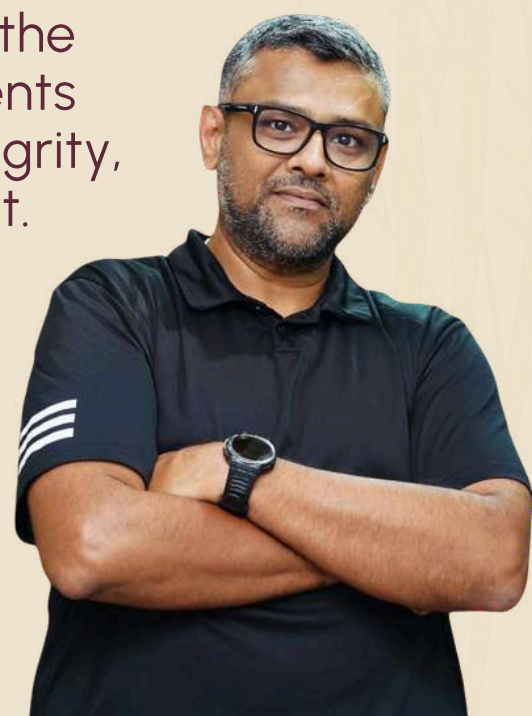


BRAND STORY

"Dhurthi was born from a belief that thoughtful design can give discarded materials a second life."

Helmed by Milan-trained designer Somil Vakharia, Dhurthi brings together style and sustainability through thoughtful, design-led products. The brand focuses on creating durable, functional pieces for everyday use, handcrafted by skilled artisans using carefully considered processes that ensure consistent quality, even at scale.

By transforming premium landfill-rescue materials into refined, purposeful products, Dhurthi offers a modern alternative to conventional leather goods. Guided by responsible practices and aligned with the UN Sustainable Development Goals, the brand serves a wide range of segments while remaining rooted in design integrity, craftsmanship, and long-term impact.





**100 MILLION TYRES
ARE SCRAPPED
EACH YEAR IN INDIA**

- Made largely of synthetic butyl
- Burning tyre rubber spikes AQI 3-5x

**A RESILIENT, DURABLE
MATERIAL THAT WILL
LAST 100X YEARS**

- 5x tougher than natural leather
- Naturally 100% Water resistant

HOW DHURTHI DOES IT

2-4 tubes saved per bag made

No coatings.
No toxic plastic layers.

Designed to last years, not seasons

Handcrafted by Artisans





THE TEXTILE WASTE SCALE

- India generates over 7 million tons annually
- Dye & chemical runoff pollute soil and water

PRE-CONSUMER OFFCUTS SAVED

- We source textile overproduction only
- Provides colour variants with tube

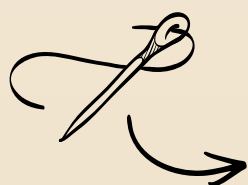
CANVAS, DENIM & KHESH

Kesh is a unique Indian handloom

No re-dyeing.
No chemical reprocessing.

Quality at scale guaranteed

Embroidered
Options available



PRODUCT LIST

OFFICE

- LAPTOP BAG
- LAPTOP SLEEVE
- TABLET SLEEVE
- BACKPACKS
- WALLETS
- CARD HOLDERS
- KEY CHAIN
- FILE HOLDER
- CARD HOLDER
- FILE HOLDER
- GADGET ORGANISER
- TABLE MAT
- MOUSE PAD

SPORTS

- GYM BAG
- TENNIS KIT BAG
- TENNIS BACKPACK
- PICKLEBALL CASES

TRAVEL

- LUGGAGE TROLLEY
- DUFFEL BAG
- SADDLE BAG
- HOLSTER POUCH
- PASSPORT CASES
- CROSSBODY BAG
- MESSENGER BAG
- TOILETRY POUCH
- TRAVEL POUCH

LIFESTYLE

- TOTE
- CURVED SLING BAG
- BARREL SLING BAG
- PHONE SLINGS
- EARPOD HOLDER
- SPECS HOLDER
- BOTTLE HOLDER

ESSENTIALS

- FOOT & BACK ERGONOMIC REST
- DUSTBINS
- MAT & HOLDER
- COASTERS
- TISSUE BOX
- DIARY SLEEVE
- STATIONERY POUCH
- POUCHES
- POUF
- BASKET WOVEN
- PLANTERS

SCHOOL

- BASIC COLLECTION
- SCHOOL BAGS
- GYM BAGS
- TIFFIN BOX HOLDERS
- TAB SLEEVE
- APRON
- YOGA MAT HOLDER
- MULTI USE POUCHES
- FOLDER





OFFICE





YARA

LAPTOP BAG

SIZE CHART

TUBE



The YARA Laptop Bag is a favourite work companion. A sturdy and smooth design with multiple interior conveniences, the YARA is a professional's best friend.

KESH + TUBE



CANVAS + TUBE



DENIM + TUBE



SLIK

LAPTOP BAG

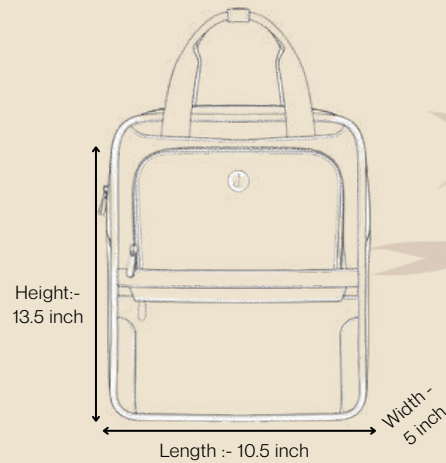


Command every room with our handcrafted black briefcase, built from durable, reclaimed materials. Spacious compartments keep laptops, documents, and essentials impeccably organized. Adjustable straps offer effortless versatility, from office to travel with ease. Timeless, sustainable, and unapologetically refined — Slik is a statement of style and purpose.



MILO

LAPTOP BAG



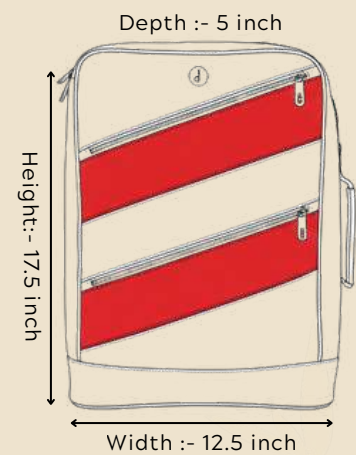
More than a bag — it's your everyday companion, crafted from durable reclaimed materials with a refined, premium feel. Built to handle daily commutes without losing its clean, confident silhouette.

This messenger shifts effortlessly from work to campus to spontaneous day trips, keeping pace with everything you do



GAMR

LAPTOP BAG



Designed for those who expect more, this backpack moves effortlessly from travel and campus to work and extended gaming sessions. Built to comfortably carry larger, high-performance gaming laptops, it delivers the structure and protection serious hardware demands. Handcrafted from reclaimed materials, it balances durability, comfort, and quiet sophistication—made for long hours and heavy carry, without compromise.



CHESTER LAPTOP BAG



Chester Laptop Bag combines functionality with refined aesthetics. Handcrafted from reclaimed materials, it offers thoughtfully organized compartments to securely carry your laptop, documents, and daily essentials. Its structured form ensures durability while maintaining a lightweight, comfortable carry throughout the day. With clean lines and a versatile design, it transitions seamlessly from work to travel, embodying a conscious approach to everyday utility.





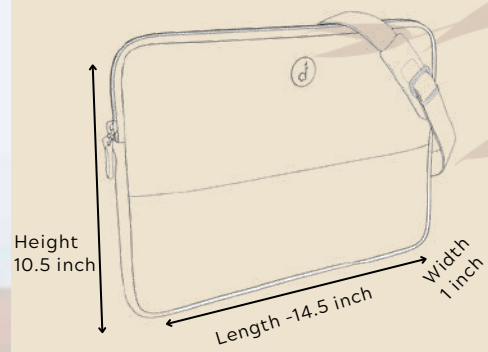
MIRA

LAPTOP SLEEVE

KESH + TUBE



SIZE CHART



Highly functional and stylish, the MIRA Laptop Sleeve range is a sleek addition to workwear. There is an underlying elegance to the design with the clean lines and the additional sling option makes it the ultimate work companion.





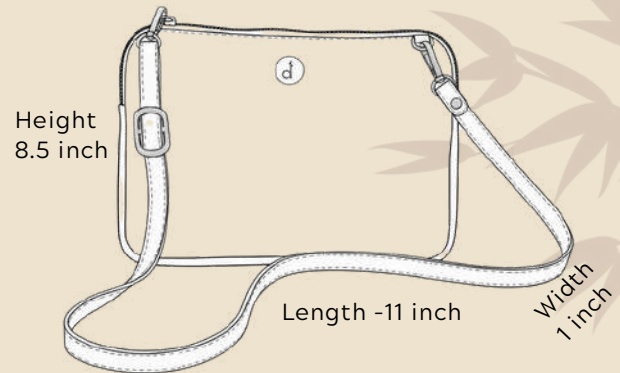
TARA

TABLET SLEEVE

DENIM + TUBE



SIZE CHART



Keep your tabs protected in this handcrafted sleeve made from durable, reclaimed materials. Durable materials and thoughtful construction ensure long-lasting protection without added bulk. Ideal for work, travel, or daily commutes, it balances functionality with understated sophistication.

CANVAS + TUBE



KESH + TUBE



TUBE





BACKPACKS

Versatile backpacks for laptops and school - comfortable, durable, easy to organize.

SAF-T



FOLD



FLAP



STRIPE



SAF - T

CHESTER BACKPACK



Built for everyday mobility, the Saf-T Chester Backpack blends functionality with a clean, modern design. Handcrafted from reclaimed materials, it features organized compartments to securely carry your laptop and essentials. Its structured yet comfortable build makes it ideal for daily use, offering a durable, sustainable solution for life on the go.



WALLETS

Variants



BUCK



RUPI



PACH



YURO



SLASH



CHESTER



CARD HOLDERS



Discover our collection of premium card holders, handcrafted from durable upcycled tube rubber. Choose from various sleek designs featuring a sophisticated leather-like finish. These eco-friendly organizers offer a sustainable, rugged way to secure your essentials while supporting conscious craftsmanship

MINY



EXEC



FLIP



UNIQU ID CARD HOLDER





FAME

CARD HOLDER



Crafted for those who value simplicity with purpose, the Fame Card Holder offers a sleek way to carry everyday essentials. Handcrafted from reclaimed materials, it features compact slots for easy organization and access. Its slim profile fits effortlessly into pockets, while durable construction ensures everyday use, bringing together sustainability and modern convenience.



KEY CHAINS

STAR RIVET



KEY RING TASSEL



Transform your brand with our unique, handcrafted keychains. We expertly combine durable, reclaimed materials with premium metals, acrylics, and woods to create rugged, modern accessories tailored to your exact specifications and creative vision. Or simply choose from our existing versatile range.

FOTO KEY CHAIN



Created to keep your keys secure and easy to access, the Foto Key Chain offers a compact and dependable everyday carry solution. Crafted using repurposed materials, it is lightweight, durable, and built for daily use. Its clean, minimal design makes it a small yet practical accessory rooted in thoughtful functionality.





KICK

KEY CHAIN STAND



Made for everyday convenience, the Kick Key Chain doubles as a compact phone stand when you need it. Crafted using repurposed materials, it keeps your keys secure while unfolding to support hands-free viewing on the go. Lightweight, durable, and thoughtfully designed, it's a small accessory with smart functionality.





KLIP

FILE HOLDER



Klip File Holder keeps your documents accessible and protected. Crafted from reclaimed materials, it combines durability with a refined, minimal design that complements any workspace. Thoughtfully designed compartments ensure effortless organization, while the sturdy construction stands up to daily use. Perfect for professionals who value style, function, and sustainability in equal measure.



FILE HOLDER

EXEC



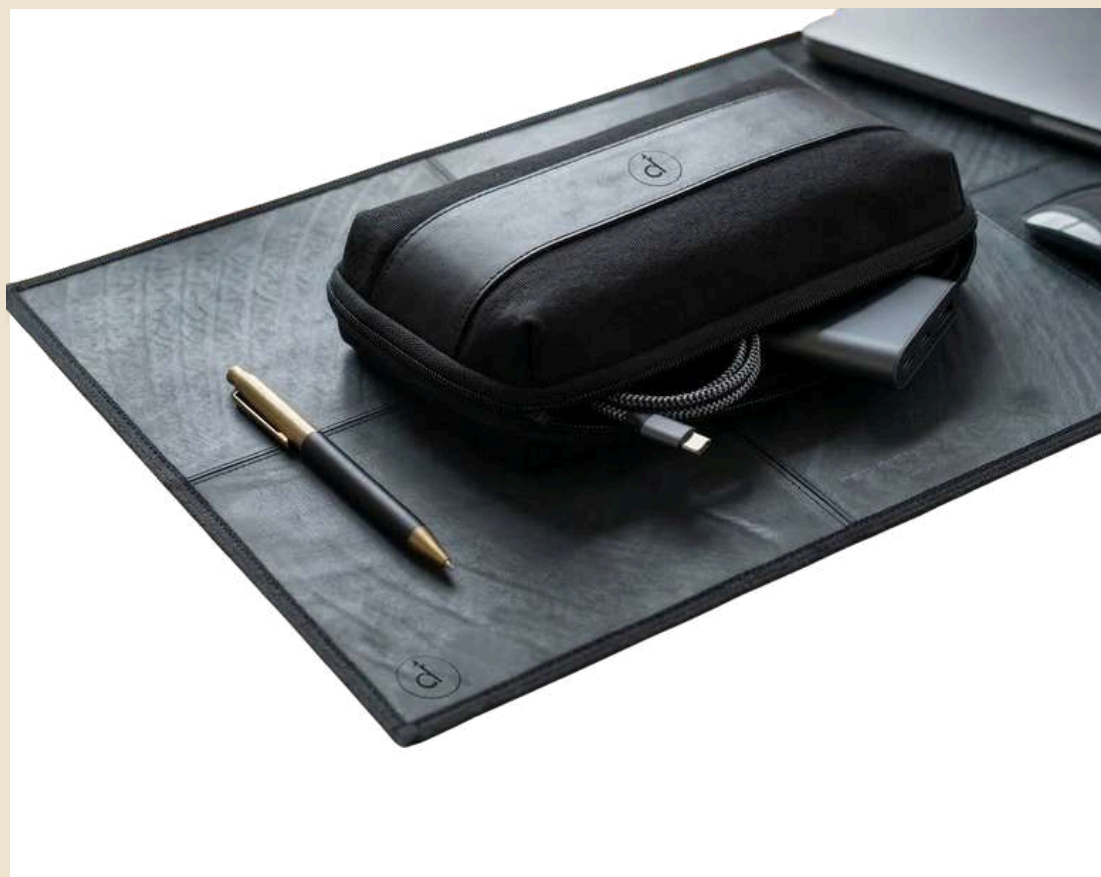
DOCU





NEST

Gadget Organizer



Keep your tech essentials effortlessly in order with the Nest Gadget Organizer. Each compartment is crafted to house cables, chargers, and devices neatly, while the reclaimed-material construction ensures durability and conscious design. Minimal lines and a thoughtful layout make it a stylish companion on your desk or in transit. A modern, sustainable solution for organized living



MINI ORGANIZER Pouch



Designed to keep your everyday essentials in one place, the Mini Organiser Pouch offers a compact and efficient storage solution. Handcrafted from reclaimed materials, it features thoughtfully arranged space for your wallet, charger, cables, and more. Its lightweight build and clean design make it easy to carry, delivering a practical and sustainable way to stay organized on the go.



GADGET CASE

TECH KIT ORGANISER



A clean, minimal gadget case designed to keep your everyday essentials organised, simple, functional, and consciously made. This Tech Kit Organiser is thoughtfully designed to securely hold your everyday tech essentials like adapter, drives, cables and more. All-around zippered closure ensures that the contents are safeguarded against potential damage.





MATT

EXECUTIVE TABLE MAT



Elevate your workspace with the Matt Executive Table Mat, where function meets understated elegance. Crafted from reclaimed materials, it provides a smooth, durable surface for writing, typing, and daily work essentials. Its minimalist design complements any desk, while thoughtful construction ensures long lasting use. A subtle, sustainable touch that brings order and style to your workspace.



MATT

Mouse Pad



Smooth, durable, and thoughtfully designed, the MATT Mouse Pad elevates your workspace with minimal effort. Handcrafted from reclaimed materials, it combines functionality with understated style. A sustainable accessory built for daily use.



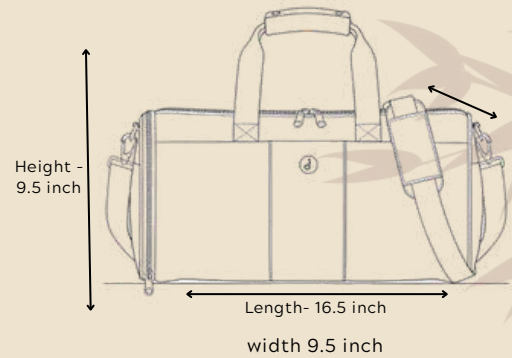
SPORTS



SLAY GYM BAG



SIZE CHART



The SLAY Gym Bag is the ultimate fashion meets functional friend for your workouts. Waterproof compartment for your runners, exciting new, age design which can be worn as a backpack or a sling, this one is for all the fitness pros.

CANVAS





SLAM

TENNIS KIT BAG



4 RACKET KITBAG

Made from upcycled tyre
tube rubber

Save 100s of KGs of CO₂
and toxic Sulphur

Elegant & Functional





ACES

TENNIS BACKPACK



Made from upcycled
tyre tube rubber
Save 100s of KGs of CO2
and toxic Sulphur
Elegant & Functional
Single Racquet
Backpack





PICKLEBALL

GEAR CASES

RAK-T



BASE



DINK



ERNE





ERNE

PICKLE BALL BAG



ERNE - Pickle Ball bag
Named after
pickleball's bold
sidestep, ERNE is built
for players who play
different.

Crafted from
reclaimed inner tubes,
it's rugged, water-
resistant, and made
to carry your paddles,
balls, and essentials
with effortless ease.
Compact, durable &
distinct, it's a
statement on and off
the court.





DINK

PICKLE BALL PUFFERBAG



Named after pickleball's most strategic shot, DINK blends precision with ease. Crafted from reclaimed denim and inner tubes, and padded using insulation rescued from safety jackets, it delivers structure with a soft, cushioned feel. Lightweight yet durable, it comfortably carries your paddles and court essentials. Smart. Sustainable. Game-ready.





BASE

PICKLE BALL COURT BAG



Named after the foundation of every rally, BASE is built for everyday play.

Crafted from durable canvas with reclaimed inner tube detailing, it's structured, resilient, and ready to carry your paddles and court essentials with ease. Clean lines. Strong build. Court-ready confidence.





TRAVEL



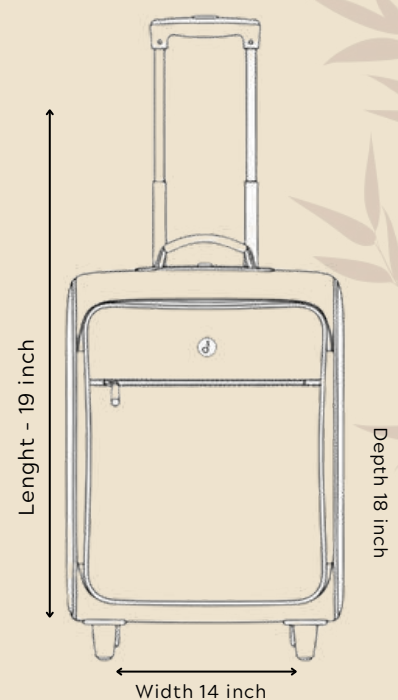
KASE

LUGGAGE TROLLEY



Built for people always on the move, this travel bag combines durable, reclaimed materials with effortless practicality. A smooth telescopic handle and sturdy wheels make it glide across any surface with ease. Thoughtful hardware and clean detailing give it a refined, modern presence wherever you go. Strong, functional, and designed to keep up — a reliable companion for travel in all its forms.

SIZE CHART





BIGY

DUFFEL BAG



Built for movement, our handcrafted duffel is made from durable, reclaimed materials and designed for effortless travel.

Compact yet surprisingly spacious, it maximizes capacity for weekend getaways, overnight stays, or short work trips.

Strong handles and a balanced structure make it easy to carry through airports, stations, or city streets.

Timeless, versatile, and built to last — your dependable companion for every journey.

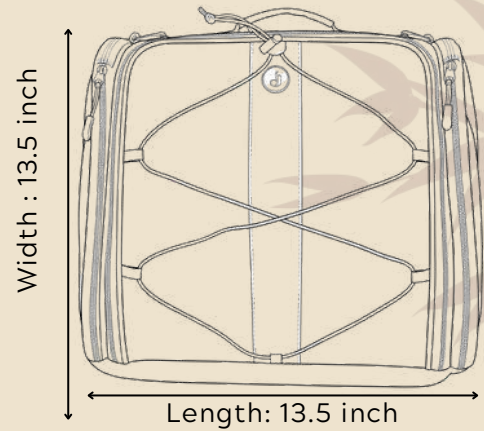
KESH





BIKR

SADDLE BAG



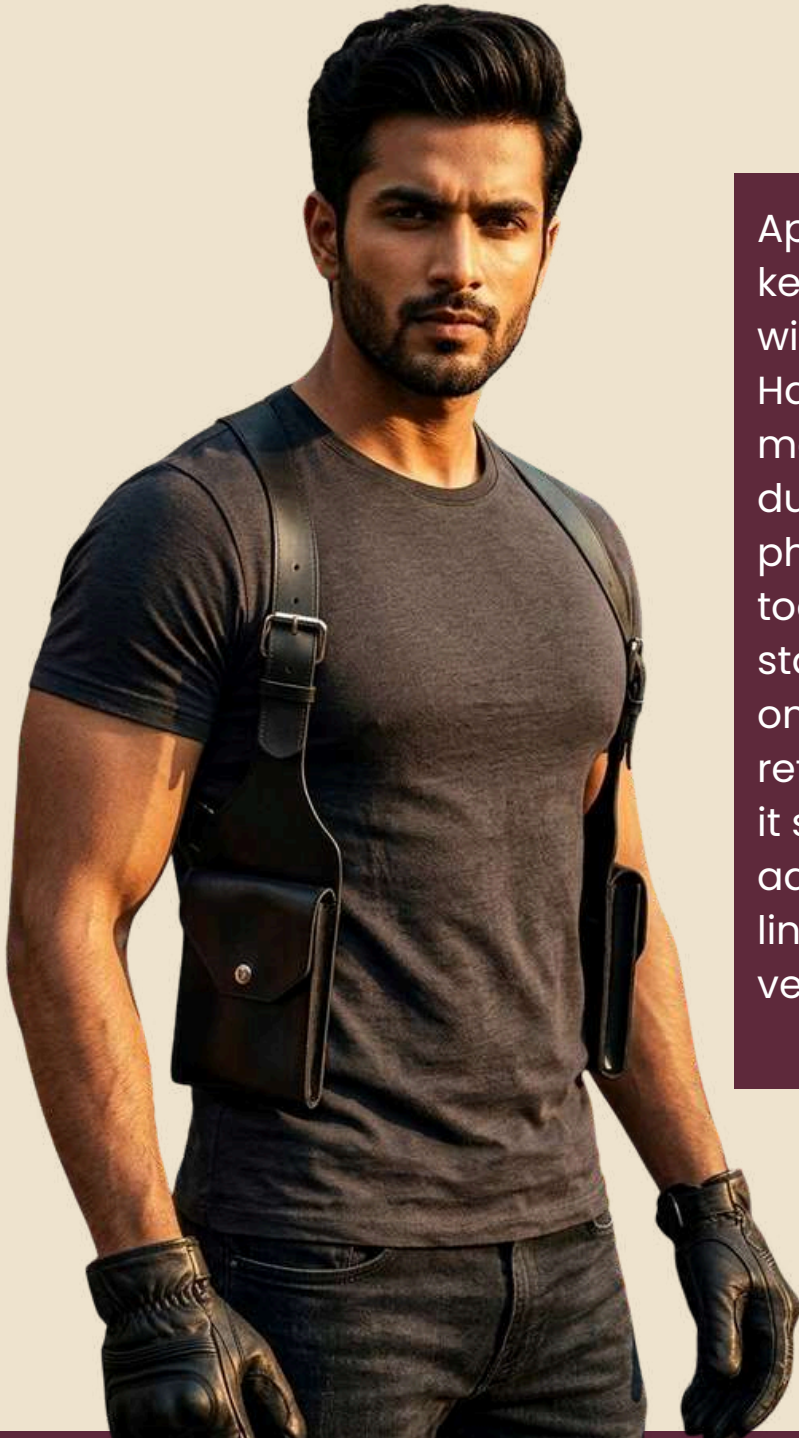
Gear up for every ride with our reflective roll bag, built from durable reclaimed materials for maximum reliability. Designed to keep your tools and essentials secure, it stays steady through touring, daily commutes, and off-road runs. The roll-top structure adds flexibility while ensuring everything stays protected on the move. Functional, rugged, and purpose-built — your dependable companion on every journey.





APEX

BIKER HOLSTER POUCH



Apex Biker Holster Pouch keeps essentials secure and within easy reach. Handcrafted from reclaimed materials, it features durable compartments for phones, keys, and small tools, with a design that stays snug and comfortable on the ride. Its rugged yet refined construction ensures it stands up to daily adventures, while minimalist lines maintain a modern, versatile aesthetic.



ROMY

PASSPORT ORGANIZER



SIZE CHART



This passport holder allows you to roam all over the world and breeze through airports - hands free and hassle free.





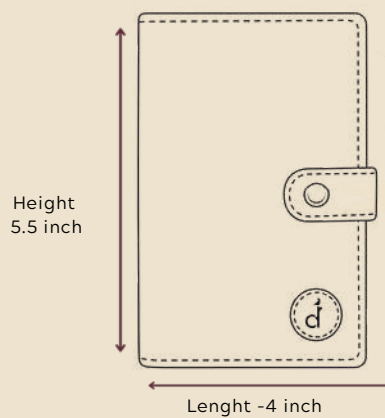
TROT

PASSPORT SLEEVE

TUBE



SIZE CHART



The globetrotters favourite staple to protect your passport, Trot is a classic design.

DENIM



DENIM

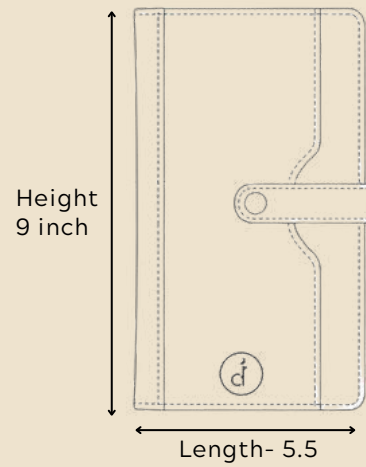




DUAL PASSPORT COVER



SIZE CHART



Safeguard your travels with our premium passport cover, designed for the modern globetrotter. Meticulously crafted to securely hold two passports, it also features dedicated slots for cards and cash, plus a convenient pen holder—all in one sleek, organized, and essential travel companion





ZINA

CROSSBODY BAG



SIZE CHART



the ZINA crossbodyBag, a handy travel companion for your a cute, zingy piece big enough to hold your book and basics and small enough not to be a burden so you can enjoy your walk.

TUBE



DENIM



KESH





KMRA

CAMERA CROSS BODY BAG



Made for creators on the move, the Kmra Camera Crossbody Bag offers a compact and functional way to carry your gear. Handcrafted from reclaimed materials, it features secure, well organized space for your camera and essentials. Its lightweight, crossbody design ensures comfort and quick access, combining durability with a clean, modern aesthetic.



BRON

MESSENGER BAG



Designed for effortless everyday carry, the Bron Messenger Bag balances utility with a refined aesthetic. Handcrafted from reclaimed materials, it features organized space for your essentials while ensuring easy access on the move. Its durable yet lightweight build, paired with a clean, versatile design, makes it a reliable companion for work and beyond.





TRIO

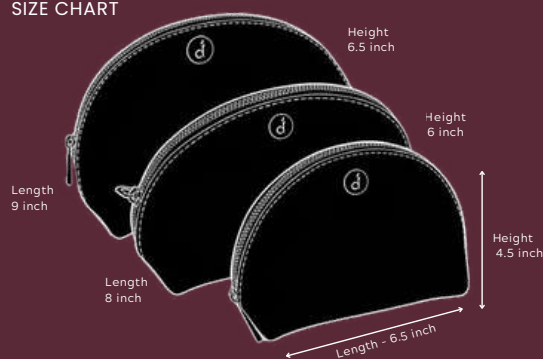
TOILETRY POUCH



Handy combo of three toiletry pouches that conveniently collapse into each other for easy storage. Beloved by stylish travellers the world over.



SIZE CHART



ROLL UP TOILETRY POUCH



Designed for organized travel, the Roll-Up Toiletry Pouch keeps your essentials neatly in place. Created using upcycled materials, it features multiple compartments that fold into a compact form for easy packing. Its lightweight, durable build and clean design make it a practical, sustainable companion for life on the go.



CORE

TRAVEL POUCH



Built for seamless travel and daily use, the Core Travel Pouch keeps your essentials organized and within reach. Crafted using repurposed materials, it features well-structured space for your accessories, toiletries, and small valuables. Its compact, durable build and clean design make it a reliable, sustainable companion for life on the move.



TRAVEL CASE

TRAVEL CHARGER POUCH



Made to support hands-free charging, the Travel Charger Pouch keeps your phone secure and off the floor while plugged in. Crafted using repurposed materials, it creates a secure pocket that hangs neatly from the adapter, holding your phone in place as it charges. Compact and practical, it offers a simple, sustainable solution for everyday travel and home use.



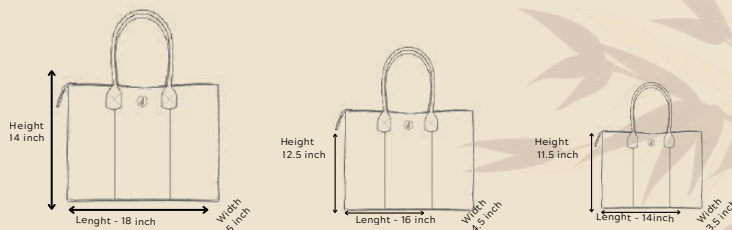


LIFESTYLE

SARA TOTE



SIZE CHART



Elevate your everyday with our handcrafted tote, meticulously made from durable, reclaimed materials. Designed with spacious compartments, a zippered pocket, and slip pockets for effortless organization. Adjustable straps ensure comfort and versatility, from chic day outings to sophisticated evenings. Sustainable, timeless, and unmistakably refined – a tote that marries craftsmanship with understated luxury.

CANVAS+TUBE



TUBE



PREMIUM





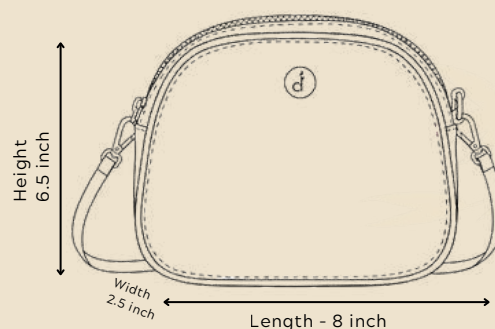
LUNA

CURVED SLING BAG

KESH + TUBE



SIZE CHART



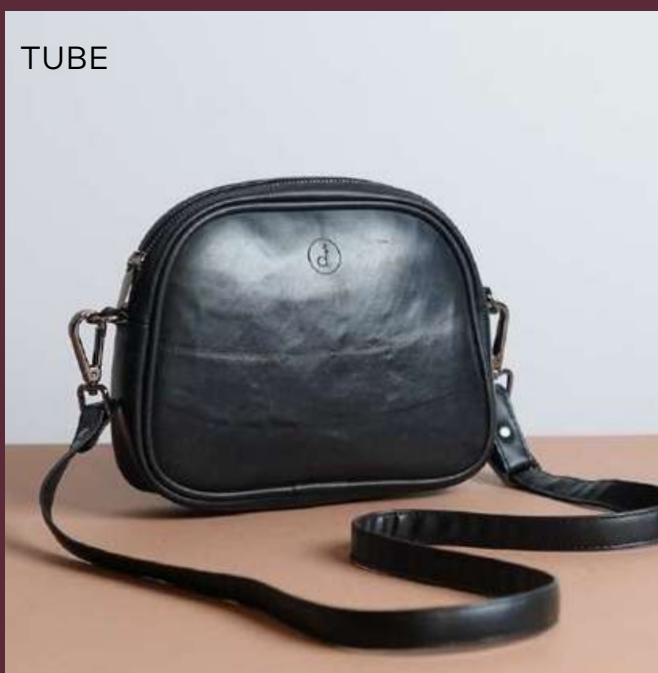
A sculpted silhouette that rests naturally against the body, designed for effortless everyday elegance.

Crafted with Dhurthi's signature precision, it balances lightness with remarkable durability.

The spacious interior keeps your essentials organized without adding bulk.

Made for those who choose luxury that aligns with their values.

TUBE



CANVAS + TUBE





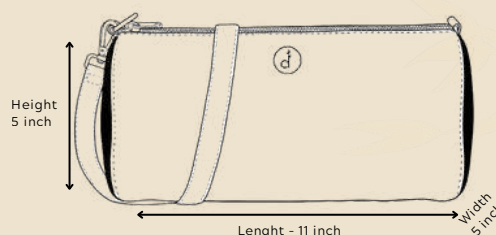
TYNN

BARREL SLING BAG

CANVAS



SIZE CHART



A sleek cylindrical silhouette crafted for a modern, understated presence. Designed with a minimalist sensibility that aligns with Dhurthi's refined approach. Smooth, structured, and effortlessly adaptable to any setting. Made for those who appreciate quiet luxury with purpose.

CANVAS



CANVAS





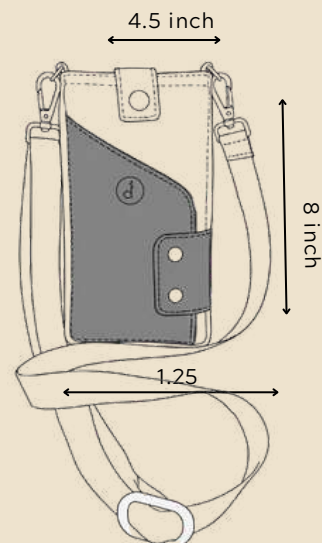
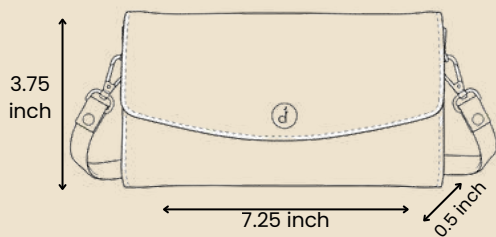
PHONE SLINGS

WITH DETACHABLE STRAPS

URBAN PHONE WALLET



CITY PHONE POUCH



Discover our eco-friendly phone slings, expertly handcrafted from rugged canvas and upcycled tyre tube rubber. Choose between the elegant purse-style horizontal design or the sleek vertical carrier. Both feature detachable straps, offering versatile, durable protection for your mobile essentials.



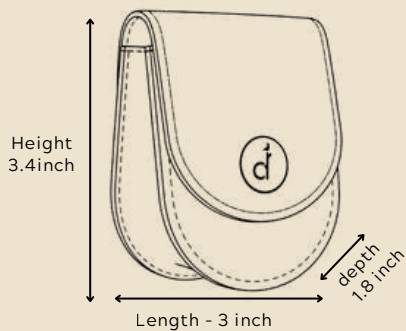
AERO

EARPOD HOLDER

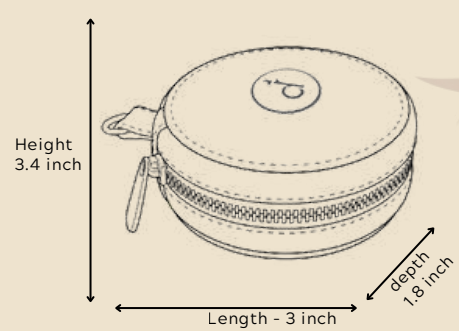
Keep your earbuds secure with our versatile holders, available in two distinct styles. Choose the sleek U-shaped case with a classic snap flap or the compact Round zip-around case. Both provide rugged protection and modern style for your daily essentials.



SIZE CHART



SIZE CHART





SPECS HOLDER

WITH LANYARD



Keep your eyewear secure with our eco-friendly holder, handcrafted from premium upcycled materials. Featuring a versatile detachable lanyard, this sustainable accessory blends functional protection with modern style—a perfect, planet-conscious solution for spectacles or sunglasses that reduces waste without compromising on quality.



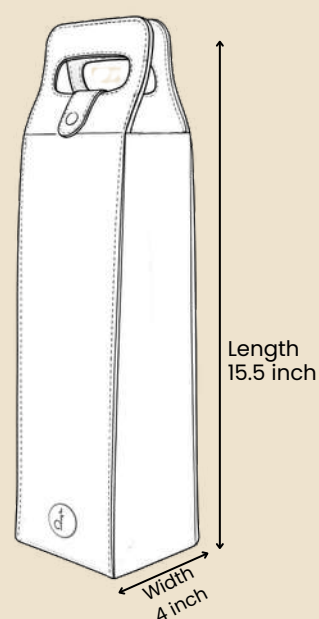
variants





VINO

BOTTLE HOLDER



Present your premium vintages in our sophisticated wine bottle holder, expertly handcrafted from resilient upcycled tube rubber. This eco-friendly carrier features a luxurious black leather-like finish, combining industrial durability with high-end elegance. The perfect sustainable gifting solution, it offers a secure, stylish, and conversation-starting way to deliver your finest bottles while championing modern environmental consciousness and refined craftsmanship.

SWIG

BOTTLE HOLDER



Swig Bottle Holder keeps your essentials close and accessible. Handcrafted from reclaimed materials, it offers a secure fit for your bottle with a lightweight, comfortable carry. Its clean, minimal design makes it a practical, sustainable companion for everyday use.





ESSENTIALS



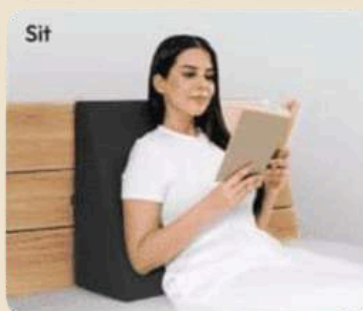


WEDGE

FOOT & BACK ERGONOMIC REST



Ergonomic aids for comfort and posture, with footrests elevating feet to reduce leg/lower back strain (often rocking/adjustable) and backrests supporting the back in bed or chairs for relief from pain/weakness, using foam/metal for adjustable support, crucial for better circulation, alignment, and reduced fatigue.



KLIN

DUSTBIN



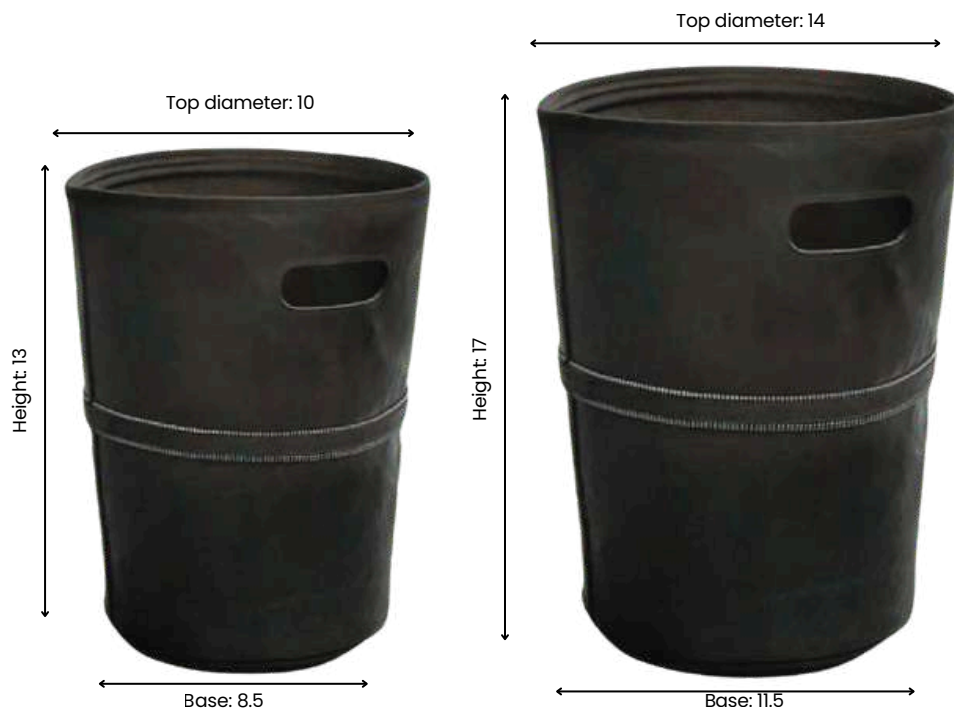
TUBE RUBBER WITH VERTICAL PANELS



BINY DUSTBIN



TUBE RUBBER WITH ZIP FEATURE





MAT & HOLDER



Designed to adapt to your everyday spaces, this mat & holder seamlessly transitions from your dining table to your desk. Use it as a stylish table mat for meals or as a protective base for laptops, notebooks, and work essentials.

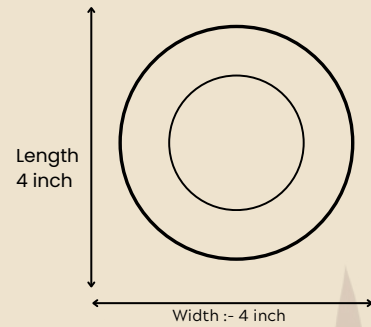
COASTERS



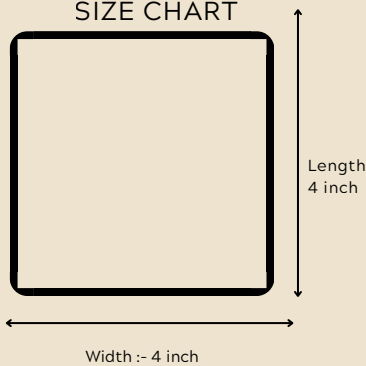
Protect your surfaces with our eco-friendly set of four upcycled tube rubber coasters. Available in sleek square or round designs with a matching case, the premium leather-like finish offers a sophisticated canvas for custom laser engraving of your company logo.



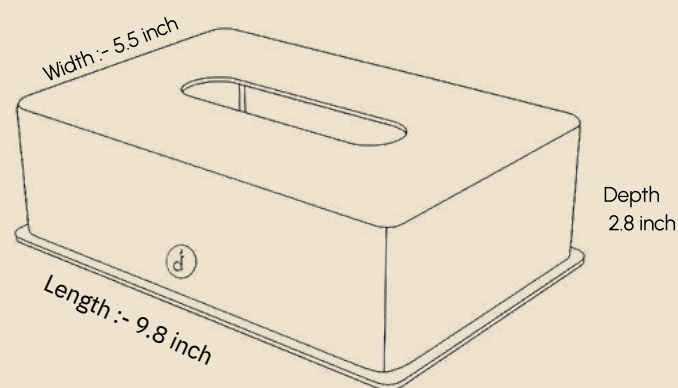
SIZE CHART



SIZE CHART



TISSUE BOX



Add a sustainable touch to your decor with our handcrafted tissue box holder. Meticulously constructed from premium upcycled materials, this eco-friendly accessory provides a durable and stylish housing for standard boxes, blending modern environmental consciousness with functional, rustic charm.



SIGNATURE

DIARY SLEEVE



Protect your notes with our sleek A5 diary sleeve, expertly handcrafted from resilient upcycled tube rubber. This eco-friendly accessory offers a sophisticated, premium leather look with industrial durability, featuring internal pockets to keep your essential inserts secure and stylishly organized



ROLL-UP STATIONERY POUCH



Stay organized with our rugged roll-up stationery pouch, expertly crafted from durable canvas and resilient upcycled tube rubber. This eco-conscious design features secure slots for all your pens and tools, providing a compact, flexible, and stylish solution for creative professionals





POUCHES

SNAP BUTTON POUCH



LONDON



Discover our versatile upcycled tube rubber pouches, available in two adaptable designs for the eco-conscious professional. Featuring a sleek, leather-like finish, these durable multi-purpose cases are perfect for protecting sunglasses, organizing golf balls, or housing makeup brushes. Experience sustainable craftsmanship that blends rugged utility with modern, sophisticated style.



PUFF

POUF SINGLE SEATER



Puff Pouf Single Seater brings relaxed style to any space. Handcrafted from reclaimed materials, it offers a soft yet supportive seat that adapts effortlessly to living rooms, bedrooms, or lounge areas. Its minimalist design and durable construction make it a versatile addition, blending functionality with a subtle sustainable statement. Perfect for moments of comfort without compromising on conscious design.



WOVE

BASKET WOVEN



Handwoven and versatile, the Wove Basket brings effortless organization with a touch of natural charm. Crafted from reclaimed materials, it combines durability with timeless design. A sustainable addition to any home or workspace.



GRDN

PLANT HARNESS



Practical and sturdy, the GRDN Plant Harness supports your greenery with ease. Handcrafted from reclaimed materials, it combines strength with clean, minimalist design. A sustainable solution for stylish, organized plant care.

GRDN

PLANTER BUTTONED



Chic, functional, and compact, the GRDN Planter Buttoned elevates your plant display with ease. Handcrafted from reclaimed materials, it offers durability and a minimalist aesthetic. A sustainable choice for modern indoor gardening.



GRDN

PLANT SUSPENDER



Sleek and practical, the GRDN Plant Suspender lets your plants hang gracefully while staying secure. Handcrafted from reclaimed materials, it blends durability with minimalist design. A sustainable solution for stylish vertical gardening.

GRDN

PLANTER CUP



Designed to bring greenery into every corner, the GRDN Planter Cup combines style and practicality. Handcrafted from reclaimed materials, it offers a durable, compact home for small plants, herbs, or succulents. Its minimalist lines and thoughtful proportions make it easy to integrate into any space, from desks to windowsills. A sustainable, design-forward solution for modern indoor gardening.





SCHOOL



BASICS



School Bag



Tiffin Holder



Gym Bag





Tab Sleeve



Yoga Mat Holder



Pouch





The BASIX

SCHOOL BAG



The BASIX Collection is defined by clean, simple design. Multiple pockets, pure tube base to withstand being placed on the floor. Front pouch can be modified to denote House Colours.



STAR WARS

SCHOOL BAG



The STAR WARS Collection is reimagined from upcycled denim. This eco-friendly collection features a sci-fi inspired look for a future-proof, space-age design.





TWO LINES

SCHOOL BAG



The TWO LINES Collection uses premium canvas and pairs it with twin reflector ribbons that give the students an added safety feature during low visibility like rains, night travel or on two-wheelers.



The BASIX

GYM BAG



Our Gym Bags are built for rugged use inline with the rough play encouraged in our esteemed institutions. Kids learn to become tough and imbibe team spirit. The matching gear just helps!





The BASIX

TIFFIN BOX HOLDER



Each Collection can include a Tiffin Box Holder in a complementary design language. Waterproof linings for spillage and accomodating interiors for all manners of cases.



STAR WARS

TAB SLEEVE



Our Tab Sleeves all come with detachable slings so the kids can move with ease between classrooms and insert this into their larger bags for commutes.



STAR WARS

APRON



Most modern, premium school aprons are shields that protect uniforms from stains during art, science labs and cooking lessons. Integrated pockets help to keep tools organised and accessible.



STAR WARS

YOGA MAT HOLDER



As more and more schools inculcate holistic wellness curricula into their academic programs, it is imperative that their kits maintain the foundational principles of hygiene and discipline. Our Yoga Mat Covers provide just that.





TWO LINES

POUCH



Our multifunctional Pouches offer organisation that can be used for stationery, tech, and art supplies. They reduce clutter and come in a variety of designs.





TWO LINES FOLDER



Zippered folders provide secure storage for those precious notes and avoid wasteful notebooks that often go unused. Ideal for exams, these are kit essentials.





REMEMBER US FOR:

- EMPLOYEE KITS
- EXECUTIVE GIFTING
- SPORTS GEAR
- LUGGAGE & TRAVEL
- OFFICE ESSENTIALS
- EVENT GIVEAWAYS
- HOME & DECOR
- STATIONERY

STYLE X SUSTAINABILITY



AS FEATURED ON

Bangalore Times



Thejaswini Sharma and Snigdha Chivukula with Somil Vakharia

WASTE, REINVENTED: DHURTHI BRINGS RADICAL SUSTAINABILITY TO THE RUNWAY

On December 5, Bangalore Times Fashion Week witnessed the arrival of a label determined to rewrite the rules of sustainable luxury. Dhurthi Couture made a striking runway debut with The AfterLife Edit, a collection of high-fashion bags that reimagine discarded tyre tubes not as waste, but as raw material for handcrafted, artisanal couture.

With India discarding millions of tonnes of tyres every year much of it ending up in landfills or burnt, as highlighted in a recent BBC documentary, Dhurthi's response is bold and uncompromising. Under the creative direction of Milan-trained designer Somil Vakharia, these

remnants of the highway were sculpted into high-gloss, obsidian-like silhouettes that felt part armour, part red-carpet fantasy.

Models also showcased samples from the debut apparel line, featuring flowy kaftans and structured shirts crafted from upcycled premium fabrics and sarees, paired with signature rubber-tube bags.

From sleek LINA and boxy BUXA to architectural ENVO and versatile NITA, the label proved that sustainability and luxury can coexist boldly, graphically and unapologetically.

If eco-fashion often arrives wrapped in muted tones and gentle messaging, Dhurthi Couture chooses a different mood altogether: bold, graphic and fiercely feminine an homage to Mother Nature in her stormier moods.

For more information:
Visit: Bhoomiverse Sustainability Superstore, Indiranagar, WhatsApp: +91 70192 16043, Website: www.dhurthi.com



Models showcasing the collection



About The Founder

The Dhurthi Brand is founded by Antra Bhargava under the aegis of her venture - Dhrunique Solutions Pvt Ltd.

This woman-led company aims to make ethical consumption the norm through a multi-channel platform.

Ms Bhargava is a multifaceted changemaker who has dedicated the last decade of her life to creating scalable models of social change. She is also the Founder and Chairperson of The WoW Kitty Trust, a charity that uses microfinance to promote financial independence for underprivileged women.

An honours law graduate from Trinity College, Dublin and a qualified CA, Antra was one of India's first and youngest female black belts in Taekwondo - a Korean martial Art. She was also the first and youngest female referee for the sport in the Indian National Games in 1998. She is the Creator of P.A.C.E. - a model to help people of all genders and ages to build personal safety habits which she has taught to over 20,000 people.

She was formerly CEO of SuVitas - an award winning and pioneering healthcare startup in Transition Care. It was during her time in the healthcare industry that she identified the critical need to address pollution as the leading cause behind the increasing incidence of Non Communicable Diseases in India.

Antra Bhargava
Founder & MD





We don't want you to choose Dhurthi just because it's **sustainable**.

We want you to choose Dhurthi because our products are **exceptional quality**, and sustainability is a bonus rooted in real action, not marketing fluff.

For B2B queries contact:

Appaiah PS

Email: appaiah@dhurthi.com

Phone: +91 97382 60634